



# healthtec

Supporting you

1300 362 923

www.healthtec.com.au

## TREATMENT TABLES

# Three Section Treatment Table

Designed for the budget conscious practitioner looking for a reliable sturdy Australian made table built to last.

Ideal for Physiotherapy, Massage, Osteopathy and Beauty Treatments.

The manual adjustable head section includes a nose hole and can be lowered allowing the prone patient to fully relax the neck muscles.

The manual adjustable leg rest can be raised enabling the table to turn into a chair for when you need your patients in a seated position.



### Features

- Electric Height Adjustment with footswitch
- X-Frame Lift action minimises pinch and crush points
- Available with either adjustable feet or castors
- Durable powder coated rust resistant frame
- High quality anti-microbial vinyl & CFC free foam
- 5 year warranty on frame & electrics
- Australian designed & manufactured

### Specifications

- 250kg Maximum Lifting Capacity (moving)
- 400kg Maximum Working Load (stationary)
- 450mm Minimum Height
- 950mm Maximum Height
- 610mm Table Width
- 1820mm Table Length
- Manual Headrest adjustment +40° to -90°
- Manual Leg Rest Adjustment +70°
- Nose Hole in headrest as standard

### Available options:



5102 - Procedure Arm



5114 - Gynae Leg Supports



5105: Prone Arm Rest - Massage



6017: Paper Towel Roll Holder



### The Healthtec Warranty

All Healthtec™ manufactured items are covered for defects in material or workmanship for 5 years from date of purchase. Original suppliers warranty applies.

TGA AR-00106892-6

© September 2013



Established 1922

## Medical and Surgical Requisites Pty Ltd

Call within Brisbane 07 3859 2900  
Phone 1300medsurg (1300 633 787)

33 Fulcrum Street Richlands Queensland 4077  
Email [medical@medsurg.com.au](mailto:medical@medsurg.com.au)

[www.medsurg.com.au](http://www.medsurg.com.au)  
Fax 07 3859 2995





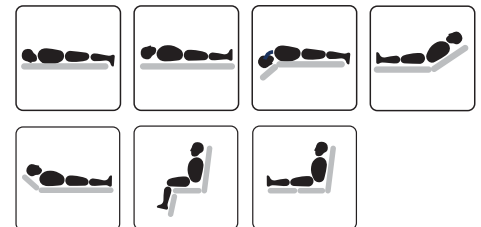
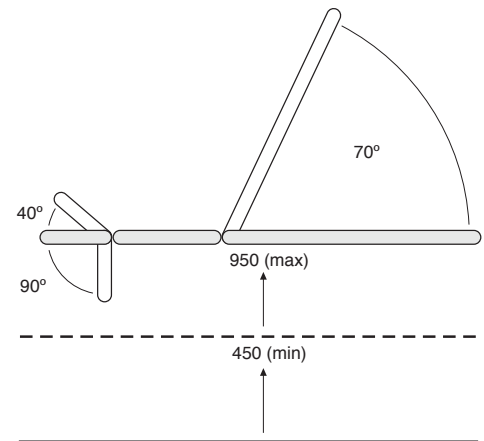
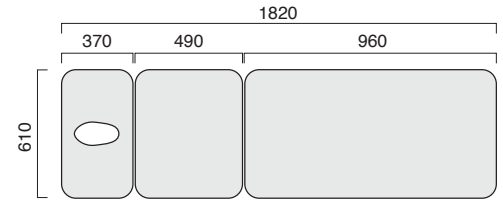
Supporting you

# PRICE SHEET

www.healthtec.com.au

## Three Section Treatment Table

	CODE	QTY
<b>Product Description</b>		
LynX Treatment Table – Three Section (610 wide) w/adjustable Feet	53030T	
LynX Treatment Table – Three Section (610 wide) w/castors	53031T	
<b>Ezy-Move Wheel Option</b>		
Retractable Ezy-Move Wheel	6000	
<b>Width Options</b>		
670mm Width Option	-65	
710mm Width Option	-70	
770mm Width Option	-75	
Custom Width Option	6014	
<b>Foam &amp; Vinyl Options</b>		
75mm Comfort Foam	6005	
Non-Stock Vinyl Option	6018	
Leather Upgrade	6008	
*please refer to our colour chart for vinyl colour options		
<b>Nose Hole Options</b>		
Nose Hole – Extra (Footend)	6011-1	
Nose Hole Plug	6010	
Face Crest Pro (Footend)	5519	
<b>Armrest &amp; Footrest Options</b>		
Procedure Arm	5102	
Prone Armrest (for facecrest pro)	5119	
Prone Armrest - Massage	5105-3	
Footrest Extension	5104	
Gynae Leg Supports	5114	
<b>Motor and Footswitch Options</b>		
Electrically Operated Headrest	6033	
Electrically Operated Backrest	6031	
Additional Footswitch (1 Function)	6020T	
<b>Rail Options</b>		
Side Rails (Left and Right)	5116	
<b>Table Protection</b>		
Paper Towel Roll Holder	6017	
Fitted Head Rest Cover (for Face Crest Pro) 100 per pack	ANWHRC	
Fitted Treatment Table Cover w/nose hole (Micro Fabric)	7201	
<b>Extended Warranty</b>		
10 years Frame & Electrics	7800	
<b>Freight</b>		
Freight charges are not included in our prices. Please contact your Healthtec representative for freight costs and options.		
Shipping Dimensions	2050mm x 850mm x 650mm	
Shipping Weight	80kg (approximately)	



**FREECALL**  
**1300 362 923**

info@healthtec.com.au

Healthtec Pty Ltd ABN 94 224 518 379 TGA AR-00106892-6  
© September 2013

Disclaimer: Due to our policy of constant product improvement, specifications may change without notice. Check with us for the latest specifications and pricing.



## Medical and Surgical Requisites Pty Ltd

Call within Brisbane 07 3859 2900 33 Fulcrum Street Richlands Queensland 4077 www.medsurg.com.au  
Phone 1300medsurg (1300 633 787) Email medical@medsurg.com.au Fax 07 3859 2995

